



INSTALLATION INSTRUCTIONS

JEEP WRANGLER TJ

POCKET STYLE FLARE PAIR NUMBER 10042-07

TOOLS REQUIRED FOR INSTALLATION:

- #2 Phillips Bit
- 5/16" Socket
- 7/16" Socket
- 5/16" Wrench
- 7/16" Wrench
- Socket Driver

FLARE INSTALLATION PROCEDURES

Step 1: Prior to Installation:

- (A) Bushwacker only approves installing the flares according to these written instructions with the hardware provided. **WARNING:** Failure to install according to these instructions will invalidate the warranty. This includes, but is not limited to using alternative installation methods, hardware, or materials. **DO NOT USE:** Loctite, SuperGlue, or similar products on the hardware or the flares.
- (B) **Fit:** Verify you have ordered the right flares for your vehicle make and model and check their fit.

Step 2: Painting (Optional)

- (A) It is recommended that painting be done prior to installation.
- (B) Clean outer surface with a high-grade degreaser. **DO NOT USE LACQUER THINNER OR ENAMEL REDUCER AS A DEGREASER.** Wipe outer surface thoroughly with a tack rag prior to painting.
- (C) Paint flares with a polypropylene primer, and let the primer flash.
- (D) Paint flares with a high build primer.
- (E) **Color coat must have a flex additive to prevent paint cracking.**
- (F) Paint flares using a high quality lacquer, enamel, or polyurethane automotive paint and clear coat.

Step 3: Preparing the Work Area (Front and Rear)

- (A) Remove the rear wheel well skirting. Using a pry bar or claw hammer, release the Christmas tree fasteners. Save for re-installation.
- (B) Remove the marker light from the front fender flare.
- (C) Remove the factory fender flares and stone guards.

Step 4: Edge Trim Installation (See Illustration #1)

- (A) Peel two to three inches of red vinyl backing away from edge trim tape. Applying the adhesive side of the edge trim to the inner side of the flare, affix the edge trim to the top edge of the flare (the portion that comes in contact with the vehicle).
- (B) Press edge trim into place along the top edge of the flare in one-foot increments, pulling red vinyl backing free as you continue to work your way around the top edge of the flare

Step 5: Flare and Stone Guard Installation

- (A) For the Front Flare, place a supplied washer on a supplied screw and place screw through hole in pocket. Place a **3/8"** thick spacer on the screw from the back side of the pocket.
- (B) Holding the flare into position on the fender, insert the screws through the factory holes in the fender with the supplied screws. Start a supplied nut on screw but do not tighten until all screws have been installed. **Use caution:** Do not over tighten the screws. Over tightening

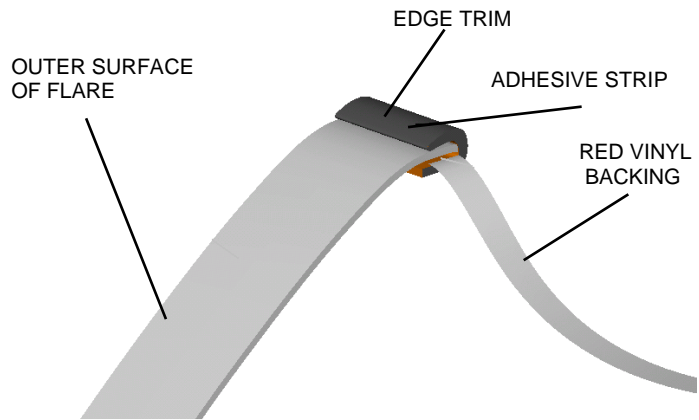


ILLUSTRATION #1

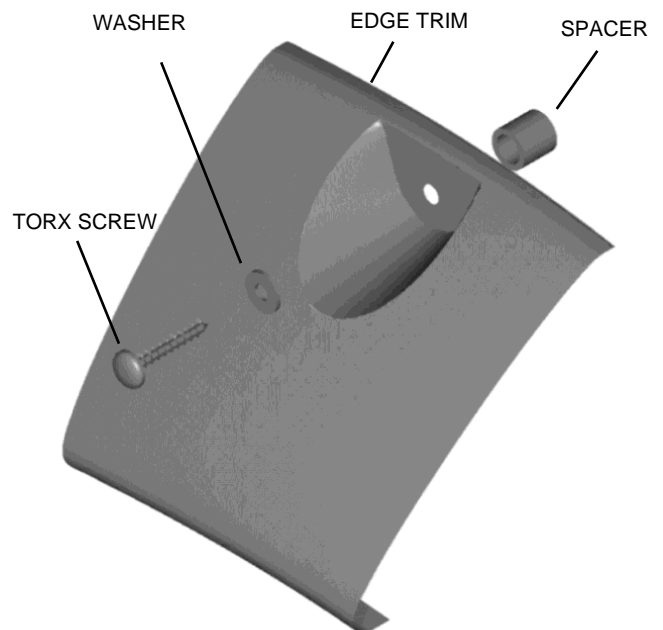


ILLUSTRATION #2

will not allow the flare to expand and contract with temperature changes after the flare is installed.

- (C) Install the marker light into the pocket formed in the flare.
- (D) Fasten the stone guard to the vehicle with the factory screws that were previously removed.
- (E) For the **Rear Flare**, repeat steps (A) and (B). Use the supplied nuts in the positions that do not have a threaded insert in the vehicle body.

Step 5: Seating Edge Trim

- (A) Using supplied Edge Trim Tool, seat edge trim against vehicle by hooking curved end under edge trim at one end of flare. Next, slide around outer edge of flare to the other end. **See Illustration #3.**
- (B) Using flat end of supplied Edge Trim Tool, seat edge trim against flare by inserting straight end between edge trim and flare at one end. Next, slide around entire edge to the other end. **See Illustration #4.**



Illustration #3



Illustration #4